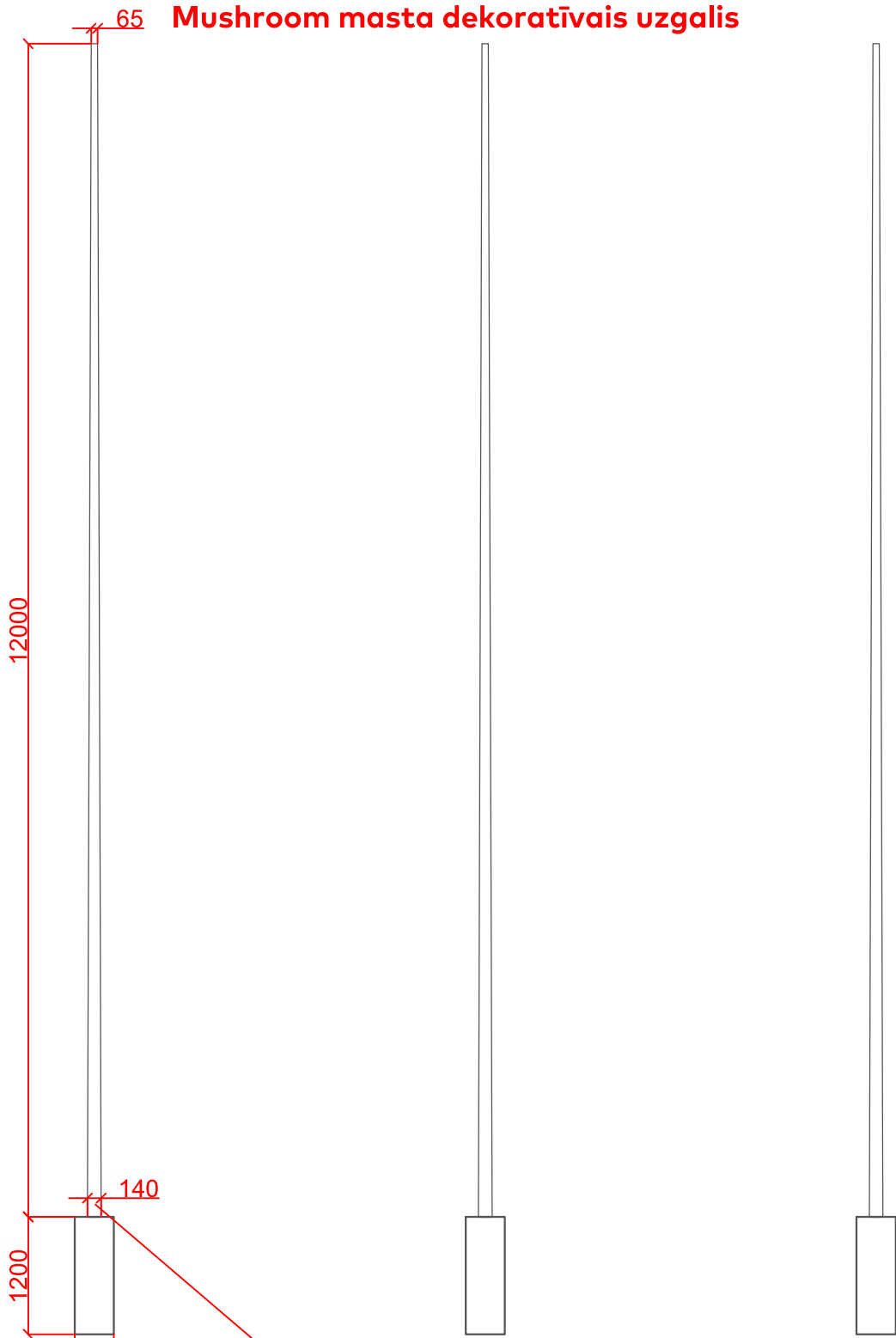
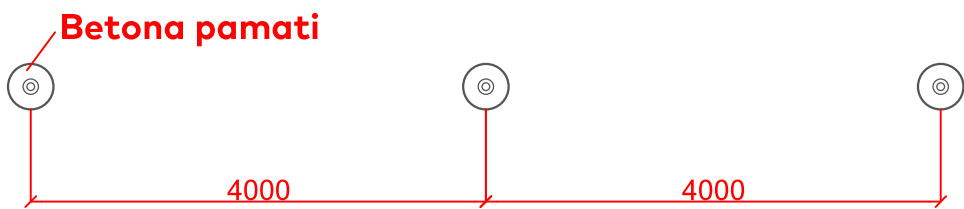




Mushroom masta dekoratīvais uzgalis



Stikla šķiedras korogu masti

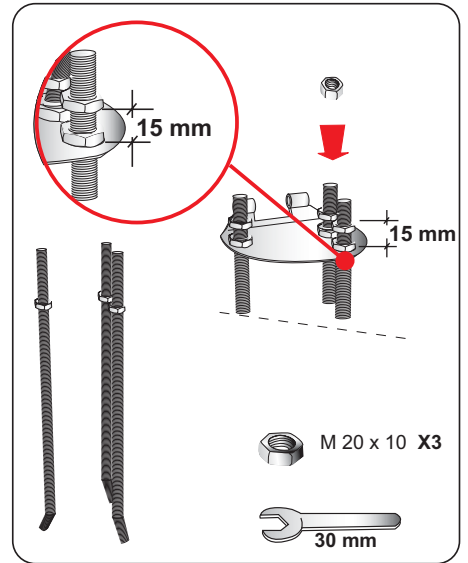
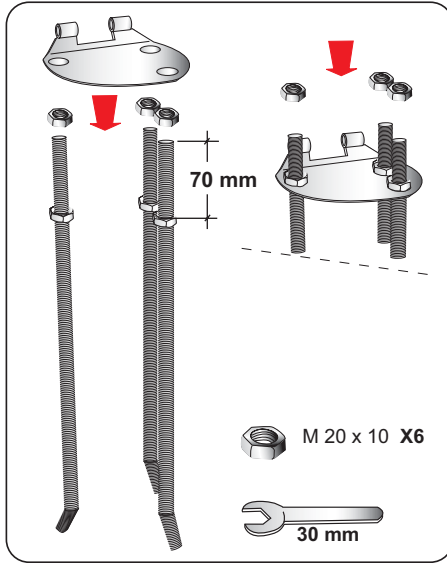
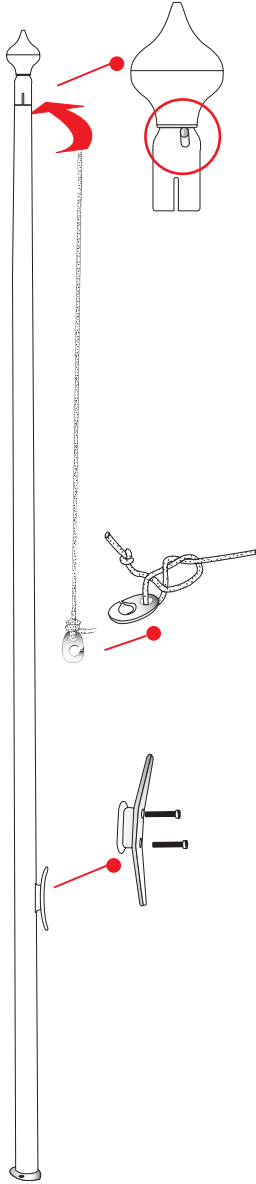


KAROGU MASTI

3 karogu masti H - 12m



Nordic



1 2 3 4

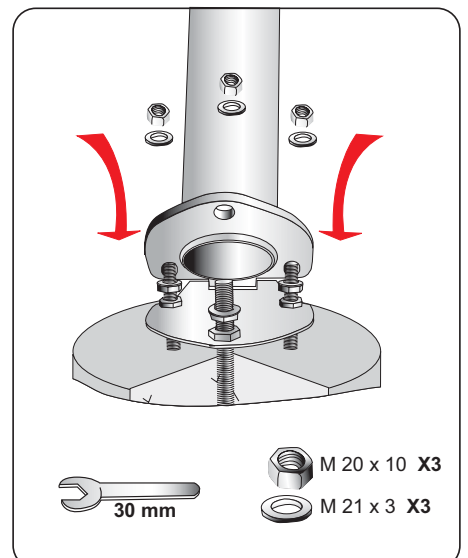
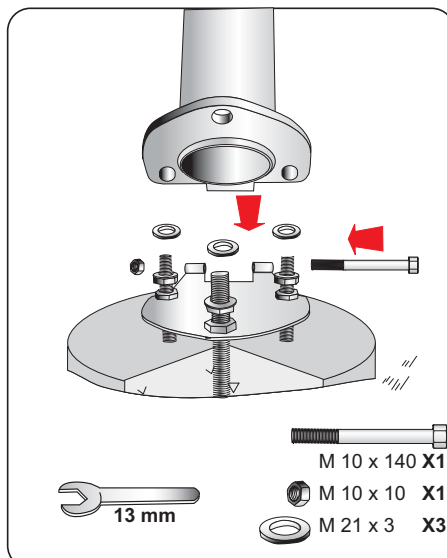
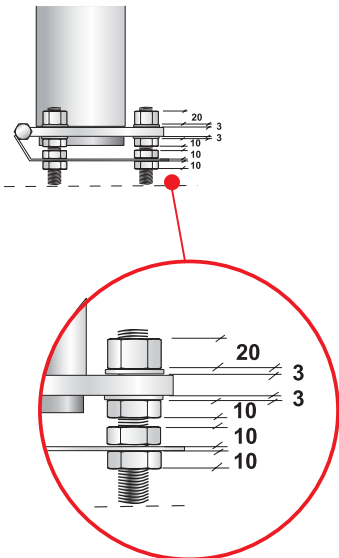
Betong concrete

90°

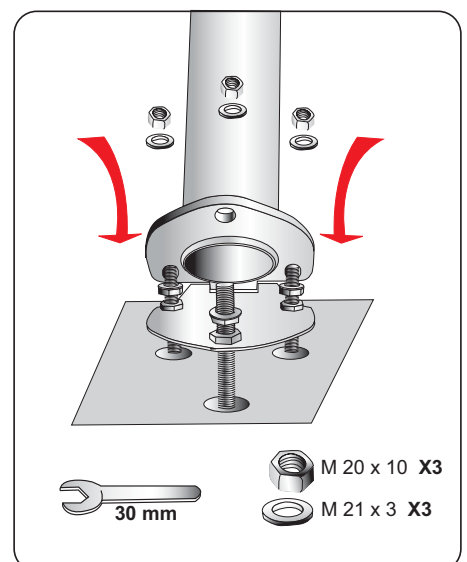
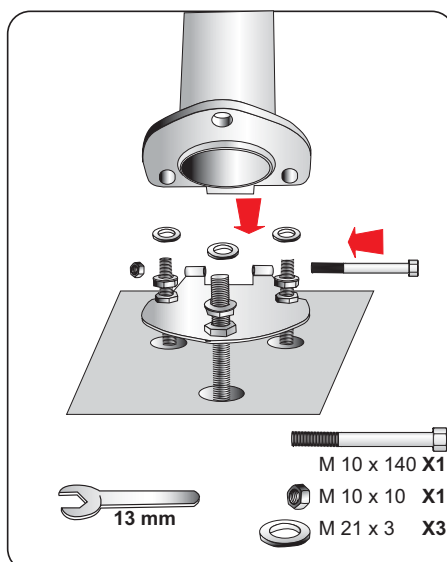
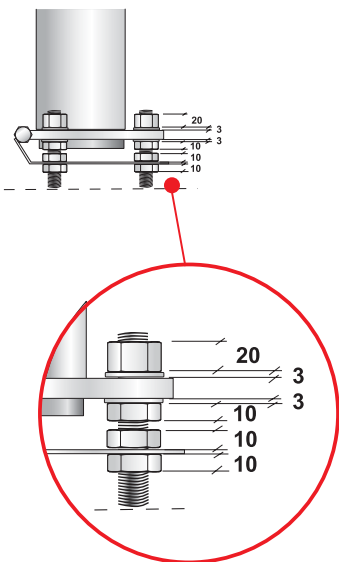
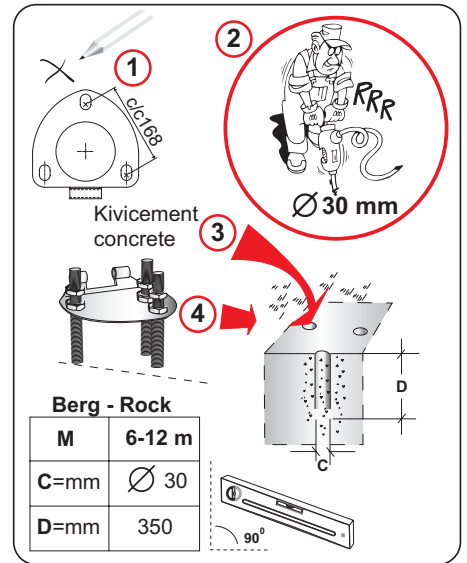
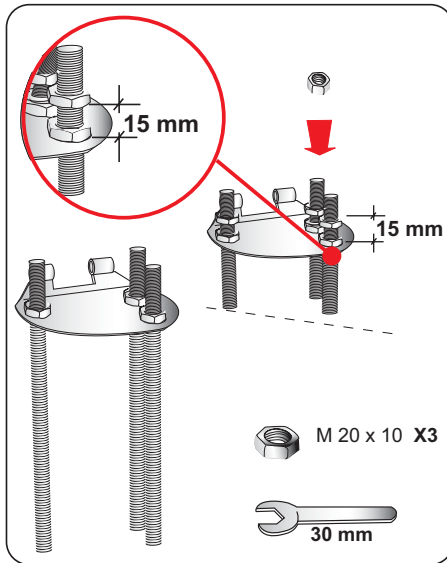
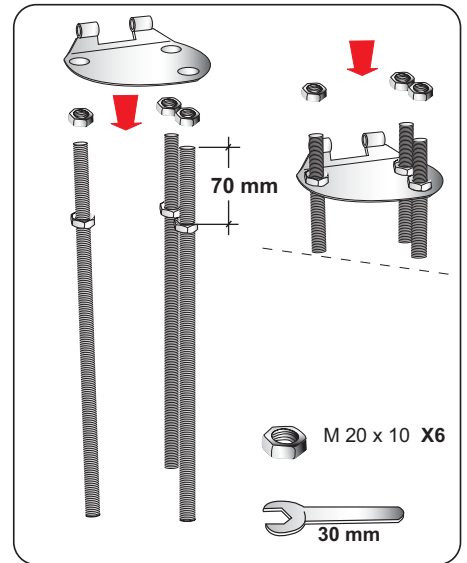
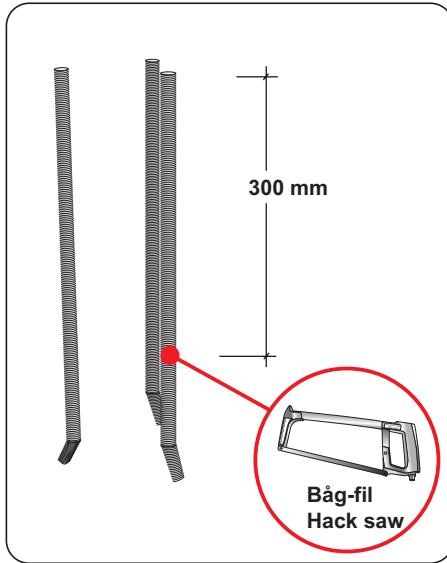
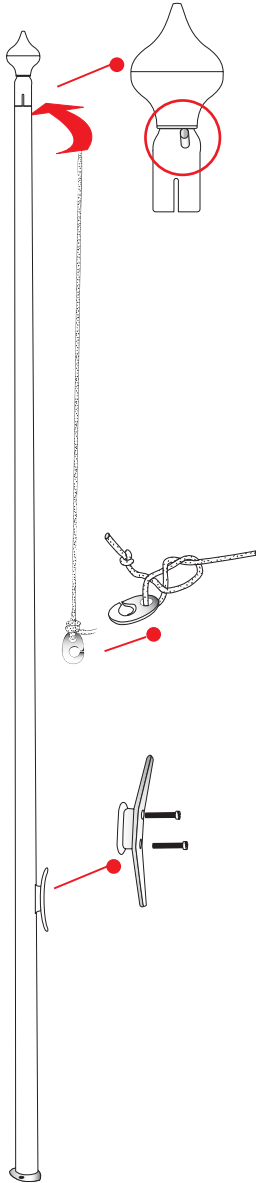
2-300 mm

Mark - Ground

M	6-8 m	9 m	10 m	12 m
A= mm	300	300	400	400
B= mm	800	900	1000	1200



Nordic



Products specifications

Length	En.	6 m	7 m	8 m	9 m	10 m	11 m	12 m	14 m	16 m	18 m
① Weight with cleat	kg	22	24	26	28	35	38	41	96	105	115
Weight with internal halyard man	kg	24	26	28	30	38	41	43			
Weight with internal vinsch	kg	26	28	30	32	40	43	46	100	109	119
② Height to cleat	mm	1500	1000	1500	1500	1500	1500	1500	1500	1500	1500
Height to internal halyard man	mm	1500	1500	1500	1500	1500	1500	1500			
Height to crank	mm	630	630	630	630	630	630	630	630	630	630
③ Length of steelpipe	mm	700	700	700	700	700	700	700	1000	1000	1000
③ Thickness of steelpipe	mm	2,0	2,0	2,0	2,0	3,0	3,0	3,0	5,0	5,0	5,0
③ Diameter of steelpipe	mm	102	102	102	102	121	121	121	160	160	160
① Topp diameter of pole	mm	65	65	65	65	65	65	65	65	65	65
④ Butt diameter of pole	mm	120	120	120	120	140	140	140	175	175	175
⑤ Fiberglass thickness + 0,5 mm	mm	3,0	3,0	3,0	3,0	3,5	3,5	3,5	3,5	3,5	3,5
⑥ Cylindrical length in meter	m	1,5	2,0	3,0	3,5	3,0	4,0	5,0	4,0	6,0	8,0
① Weight of fiberglass tub	kg	10	12	14	16	21	24	27	49	58	67
⑦ Deep of ground foundation	mm	800	800	800	900	1000	1100	1200	1400	1450	1500
⑧ Diameter of ground foundation	mm	300	300	300	300	400	400	400	600	600	600
⑨ Hole diameter for rock install	mm	35	35	35	35	35	35	35	35	35	35
⑩ Deep of hole for rock install	mm	300	300	300	300	400	400	400	500	500	500
⑪ Hole centre	mm	168	168	168	168	168	168	168	240	240	240
⑫ Length of ankar rods	mm	500	500	500	500	500	500	500	800	800	800
⑫ Diameter of ankar rods	mm	20	20	20	20	20	20	20	20	20	20
⑬ Rekomended max flagsize	sq.m.	2	2,5	3	4	5	5	6	9	11	13

