

Electrical documentation

WAREMA sun shading control system



WAREMA Renkhoff GmbH
 Hans-Wilhelm-Renkhoff-Str. 2
 D-97828 Marktheidenfeld
 Telefon: 09391/20-0

Project:

Facility : RTU
 Place : LV-
 Drawing number : 24340_1

Contact : Johannes Hüsam
 Facility-number :
 Date : 08.11.2011


The wiring diagram must be released before the control system is delivered.

The delivery date is stated in the order confirmation.

Please send us the release as soon as possible.

Please release all relevant sheets.

For the drawing all rights reserved.

		date	08.11.2011	RTU		 WAREMA Renkhoff GmbH Hans-Wilhelm-Renkhoff-Str. 2 97828 Marktheidenfeld	Cover			=	Drawing number: 24340_1	page	1
		drawn		LV-					+	of		21	
		editor	wichaa										
Change	date	Name	Norm	Urspr.	Ers. f.	Ers. d.		119000279					

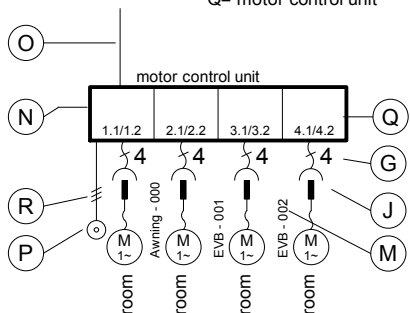
Electrical documentation

Legend:

M= Type of blind // EVB = external venetian blind
 N= JY(ST)Y 4x2x0.8mm
 O= NYM-J 3x1.5mm²
 R= JY(ST)Y 2x2x0.8mm
 G= H05 RR-F 4G 0.75mm² (sw)
 type WAREMA
 I = NYM-J 5x1.5mm²
 H= junction box on site
 P= operating unit
 J = coupling system
 Q= motor control unit

Stak/Stas3

Use push buttons only!



control functions

- wind monitoring
- temperatur control
- light control
- precipitation monitoring
- main switch
- time switch
- facade control
- slat tracking
- separately control
- group control
- no local control
- floor control

The cables specified above are minimum cross-sections for copper, without considering the length and the resulting volting drops (see voltage drop diagram).

The cabels specified above are recommendations. According to VDE 0022 the person installing electrical equipment is responsible for ensuring that the power utility, VDE and other applicable regulations are observed.

Electrical appliances should easily be installed accessibly.

The fuse protection of the appliances should be done in accordance with the national regulations.

The tripping characteristic of the circuit-breaker should be in accordance with the national regulations.

The degree of protection is IP 30..

Please note the technical information of the devices in the User and installation guide!

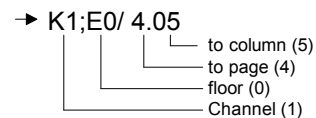
WAREMA recommends the development and installation of a lightning protection system for this building. This system should conform to the valid standards, regulations and local construction rules and should be installed by a professional, working in lightning protection systems.

Caution:

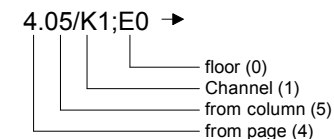
For the power supply 230V 16A there are only 15 drives at max. 1A motor current connectable.

To form a local group inputs must be wired in paralle!

description of cross reference:



description of cross reference:



For the drawing all rights reserved.

1

3

date 08.11.2011

drawn

editor wichaa

RTU

LV-



WAREMA Renkhoff GmbH
 Hans-Wilhelm-Renkhoff-Str. 2
 97828 Marktheidenfeld

Legend

119000279

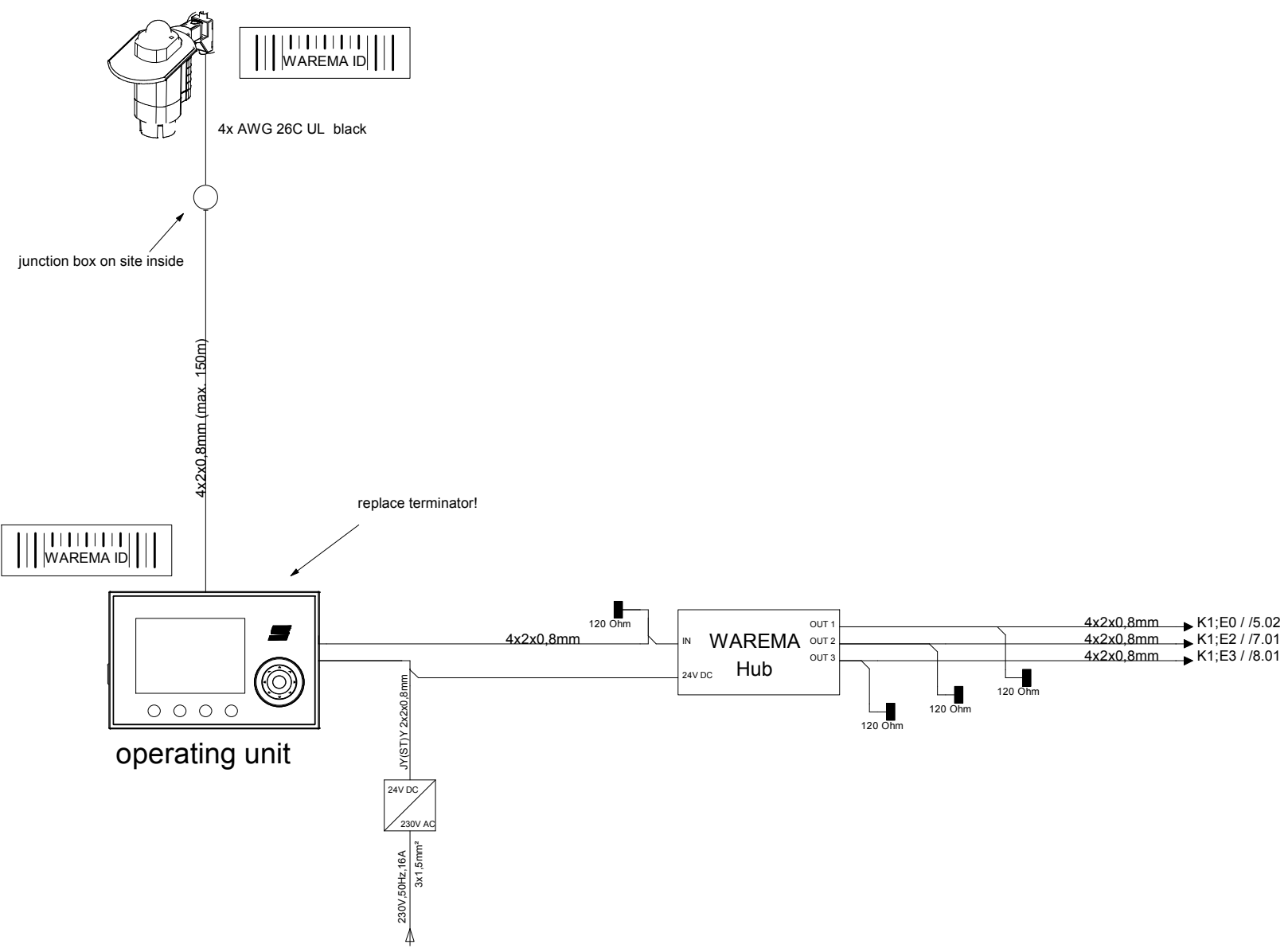
Drawing number: 24340_1

page 2
 of 21

Table of contents

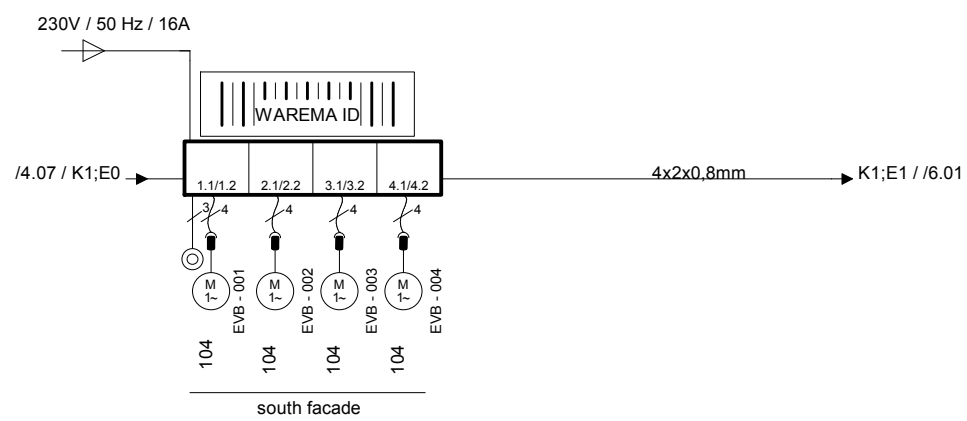
page	description	backbone	Change	facade	channel	from floor	to floor	date	editor
1	Cover							08.11.2011	wichaa
2	Legend							08.11.2011	wichaa
3	Table of contents							08.11.2011	wichaa
4	Schematic line diagram - WAREMA climatronic							08.11.2011	wichaa
5	Schematic line diagram	-				0	0	08.11.2011	wichaa
6	Schematic line diagram	-				1	1	08.11.2011	wichaa
7	Schematic line diagram	-				2	2	08.11.2011	wichaa
8	Schematic line diagram	-				3	3	08.11.2011	wichaa
9	Wiring diagram - WAREMA climatronic							08.11.2011	wichaa
10	Wiring diagram - Hub							08.11.2011	wichaa
11	Wiring diagram - actuator 4M230							08.11.2011	wichaa
12	Wiring diagram - actuator 6M230							08.11.2011	wichaa
13	Wiring diagram - actuator 4M230 (group operation)							08.11.2011	wichaa
14	Dimension - WAREMA climatronic operating unit							08.11.2011	wichaa
15	Dimension - Climatronic Sensor							08.11.2011	wichaa
16	Dimension - Climatronic - actuator							08.11.2011	wichaa
17	Dimension - power supply unit							08.11.2011	wichaa
18	Dimension - Climatronic Hub							08.11.2011	wichaa
19	Network structure - WAREMA climatronic							08.11.2011	wichaa
20	coupling system							08.11.2011	wichaa
21	List of material							08.11.2011	wichaa

For the drawing all rights reserved.




For the drawing all rights reserved.

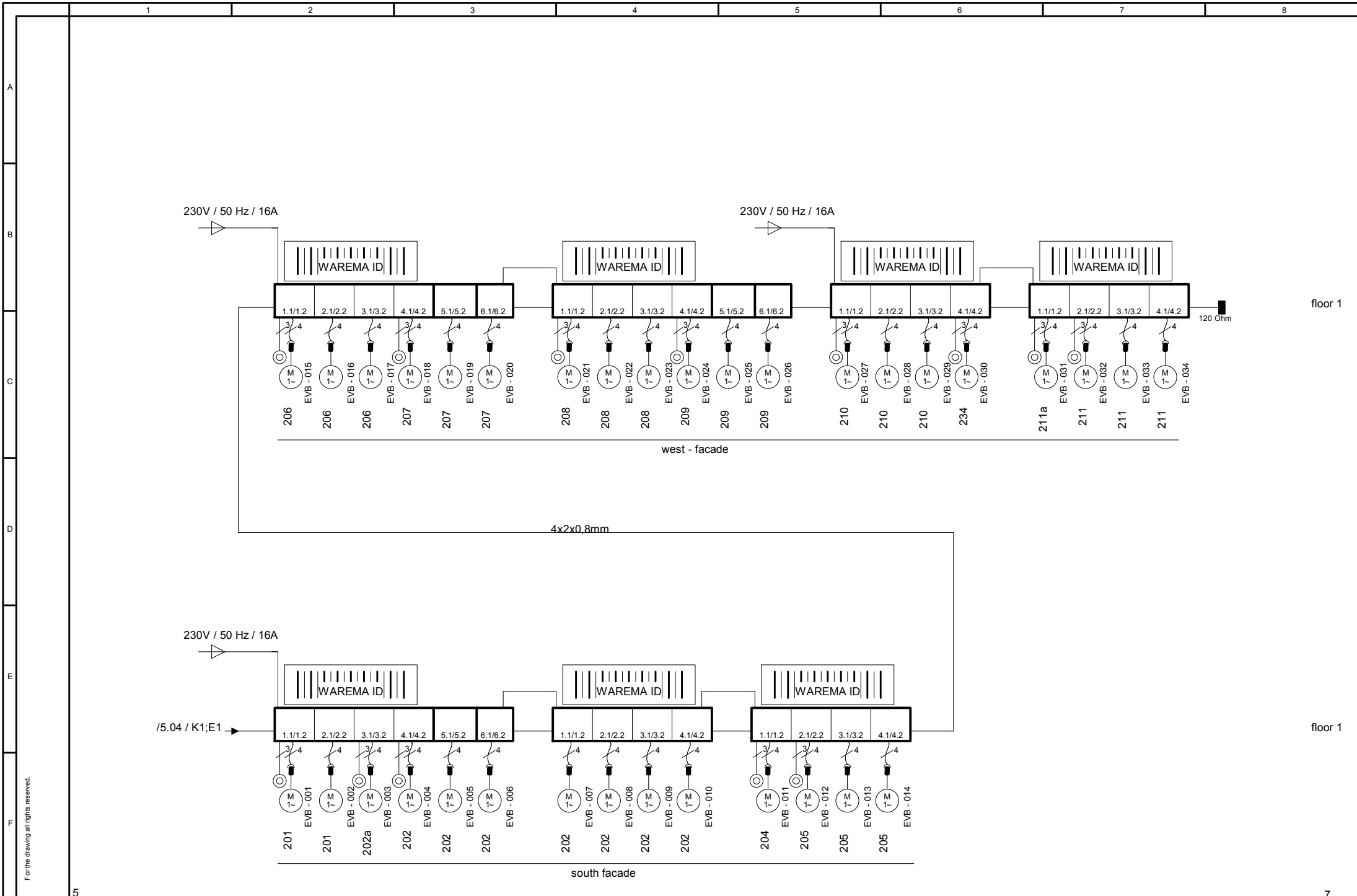
date		08.11.2011		RTU		WAREMA Renkhoff GmbH Hans-Wilhelm-Renkhoff-Str. 2 97828 Marktheidenfeld		Schematic line diagram - WAREMA climatic		=	
drawn				LV-						+	
editor		wichaa								119000279	
Change	date	Name	Norm	Urspr.	Ers. f.	Ers. d.	Drawing number: 24340_1		page 4		
									of 21		



floor 0

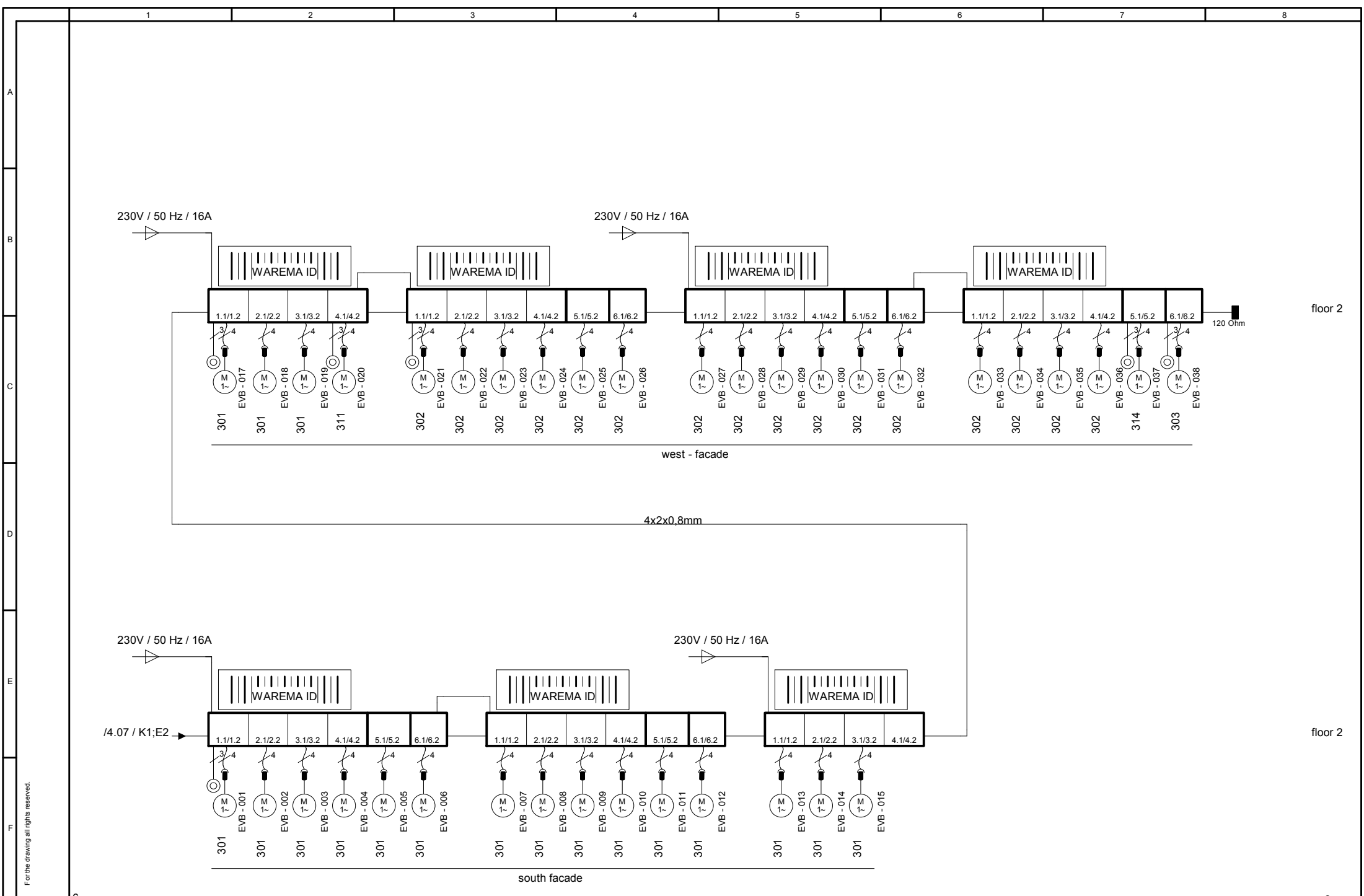
For the drawing all rights reserved.

		date 08.11.2011		RTU		 WAREMA Renkhoff GmbH Hans-Wilhelm-Renkhoff-Str. 2 97828 Marktheidenfeld		Schematic line diagram				= -			
		drawn		LV-				Facade		channel				+	
		editor wichaa		Urspr.				Ers. f.		Ers. d.		119000279		Drawing number: 24340_1	
Change	date	Name	Norm										page 5		
													of 21		



For the drawing all rights reserved.

		date 08.11.2011		RTU		WAREMA Renkhoff GmbH Hans-Wilhelm-Renkhoff-Str. 2 97828 Marktheidenfeld		Schematic line diagram Facade channel Floor 1 - 1		= -		page 6	
		drawn		LV-		Ers. d.				+		of 21	
Change		date		Name		Norm		Urspr.		Ers. f.		Drawing number: 24340_1	
				editor wichaa						119000279		119000279	



For the drawing all rights reserved.

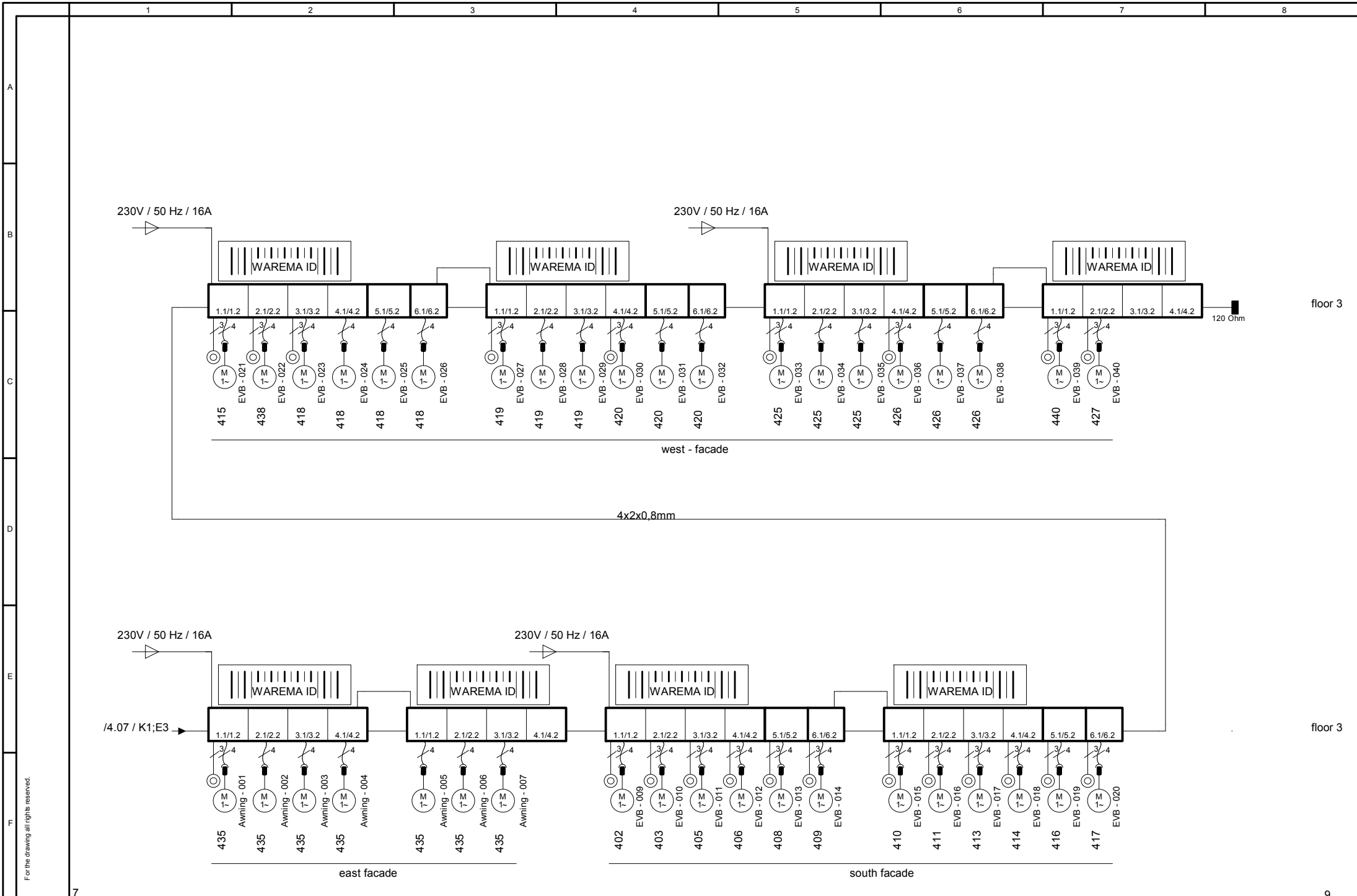
date	08.11.2011
drawn	
editor	wichaa
Change	date
Name	Norm

RTU	
LV-	
Urspr.	Ers. f.



Schematic line diagram
 Facade channel
 Floor 2 - 2

119000279	Drawing number: 24340_1	page 7 of 21
-----------	-------------------------	-----------------



For the drawing all rights reserved.

date	08.11.2011
drawn	
editor	wichaa
Change	date
	Name
	Norm

RTU	
LV-	
Urspr.	Ers. f.

WAREMA Renkhoff GmbH
Hans-Wilhelm-Renkhoff-Str. 2
97828 Marktheidenfeld

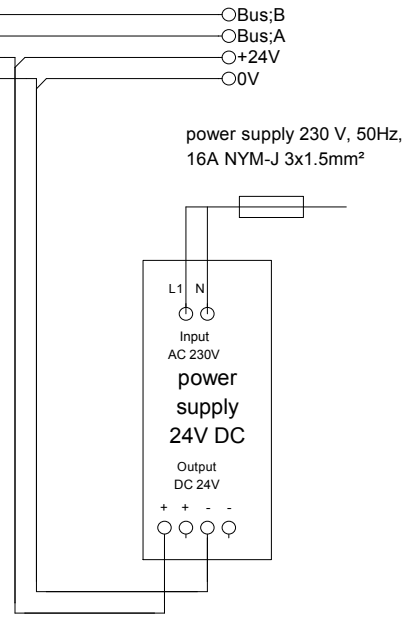
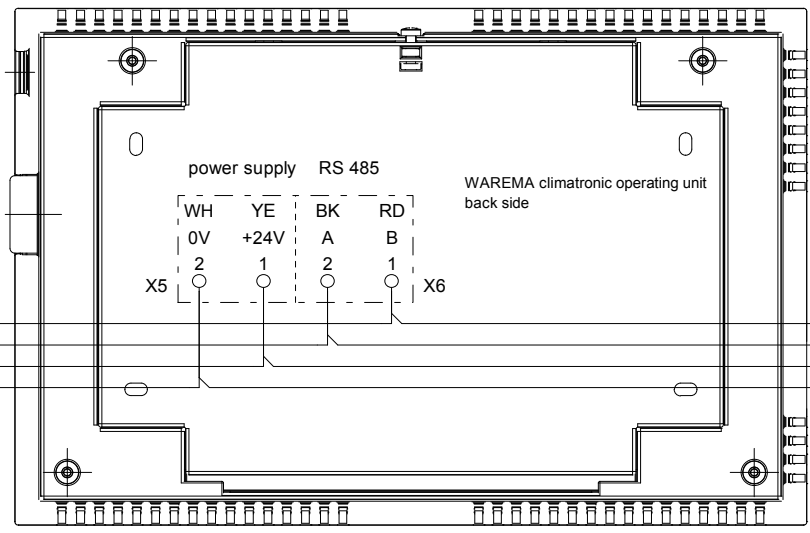
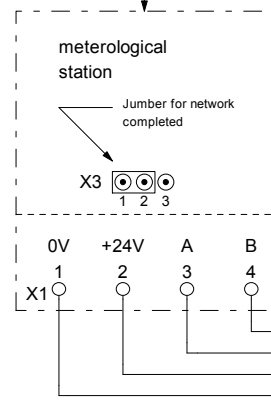
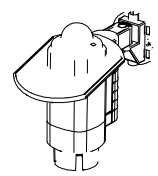
Schematic line diagram
Facade
Floor 3 - 3
channel

119000279	Drawing number: 24340_1	page 8 of 21
-----------	-------------------------	-----------------

floor 3

floor 3

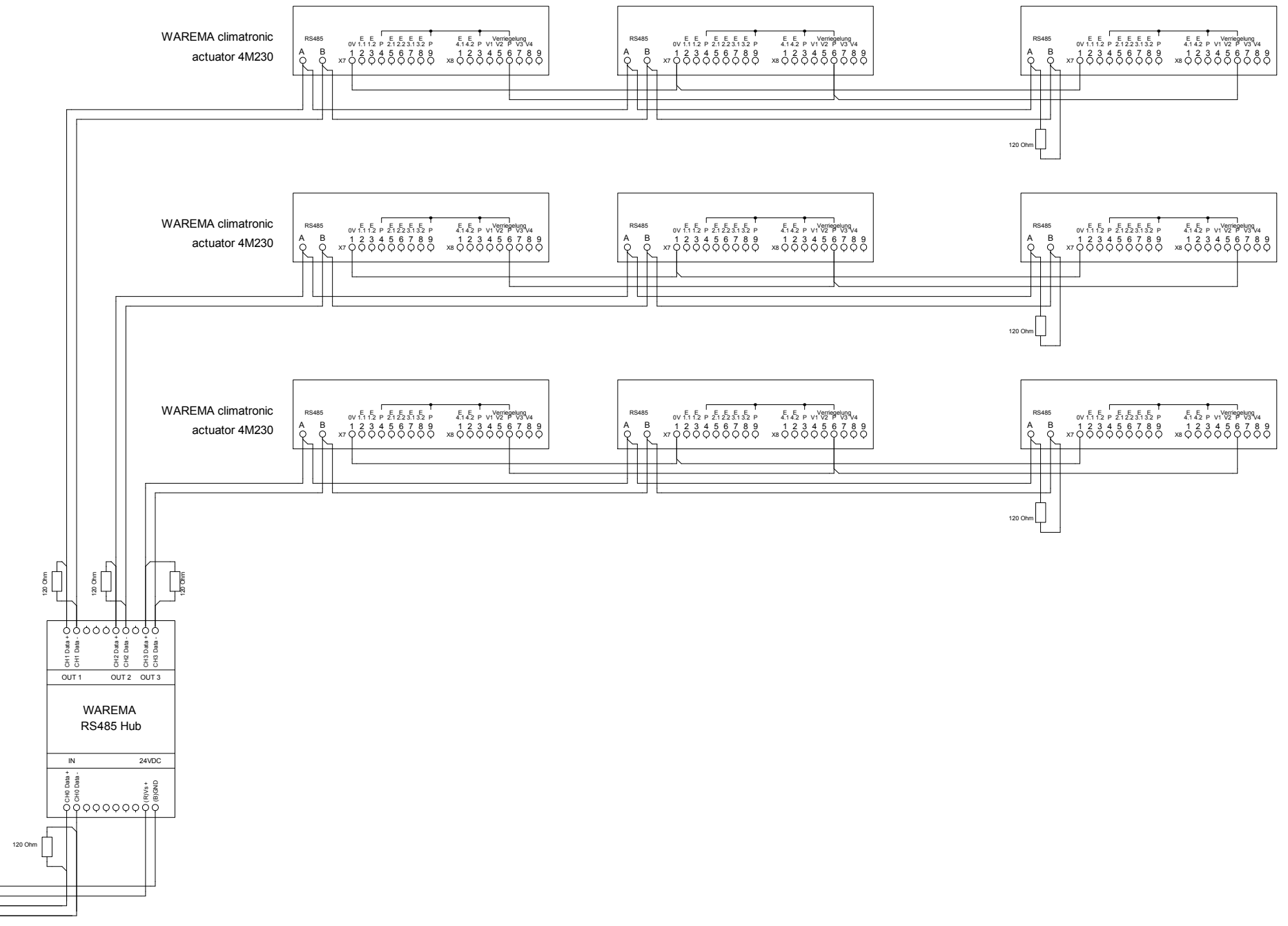
9



For the drawing all rights reserved.

date		08.11.2011		RTU		WAREMA Renkhoff GmbH Hans-Wilhelm-Renkhoff-Str. 2 97828 Marktheidenfeld		Wiring diagram - WAREMA climatronic		119000279		Drawing number: 24340_1		page 9 of 21 Bl.	
drawn				LV-											
editor		wichaa		Urspr.											
Change	date	name	Norm	Urspr.	Ers. f.	Ers. d.									

For the drawing all rights reserved.



9

11

Datum	08.11.2011
Ersteller	WICHAA
Bearb	wichaa

RTU
LV-

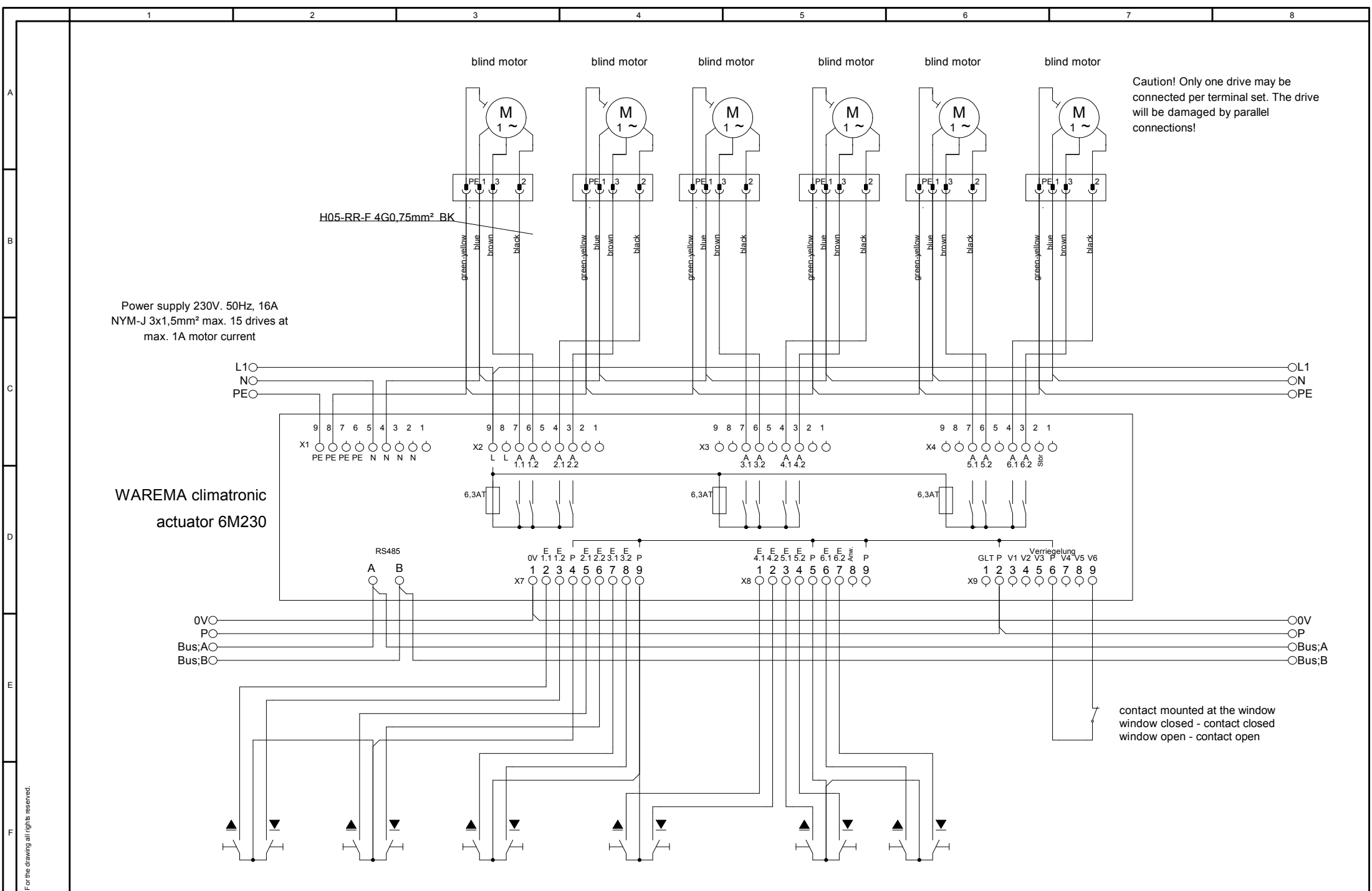


Wiring diagram - Hub

Zeichnungsnr.: 24340_1

page 10
von 21 Bl.

Änderung	Datum	Name	Norm	Urspr.	Ers. f.	Ers. d.
----------	-------	------	------	--------	---------	---------



Caution! Only one drive may be connected per terminal set. The drive will be damaged by parallel connections!

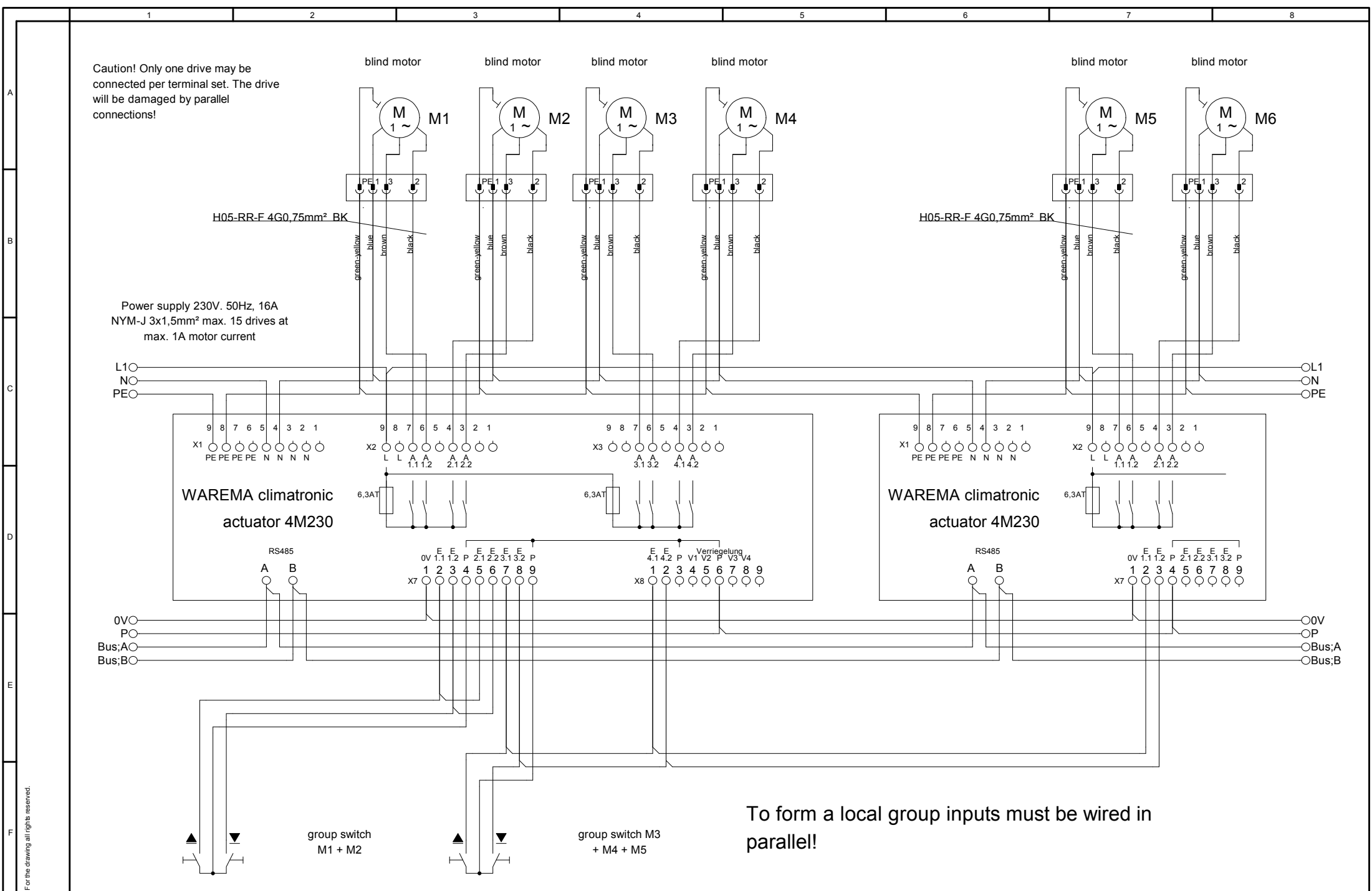
H05-RR-F 4G0,75mm² BK

Power supply 230V. 50Hz, 16A
 NYM-J 3x1,5mm² max. 15 drives at max. 1A motor current

WAREMA climatronic actuator 6M230

For the drawing all rights reserved.

11		13	
date	08.11.2011	RTU	
drawn		LV-	
editor	wichaa		
Change	date	name	Norm
		Urspr.	Ers. f.
			Ers. d.
Warema Renkhoff GmbH Hans-Wilhelm-Renkhoff-Str. 2 97828 Marktheidenfeld		Wiring diagram - actuator 6M230	
119000279		Drawing number: 24340_1	
		page 12 of 21 Bl.	

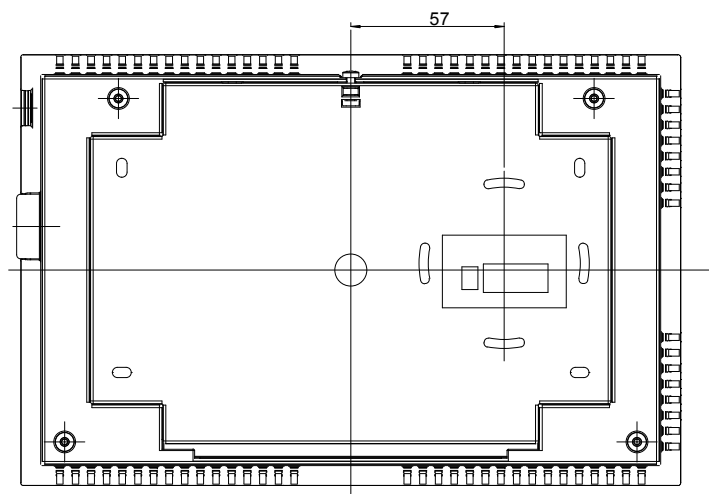
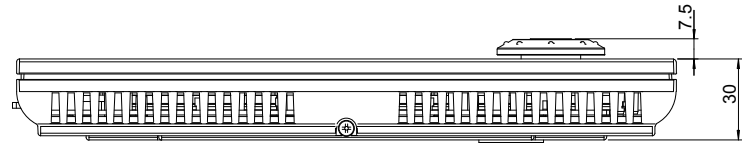
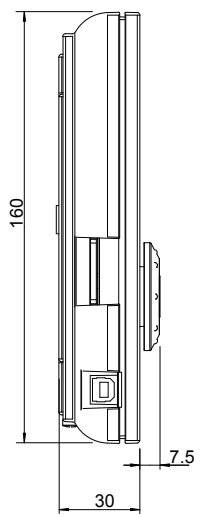
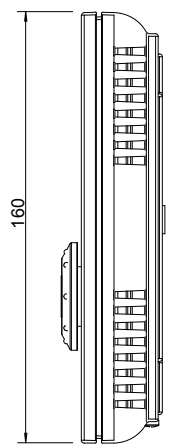
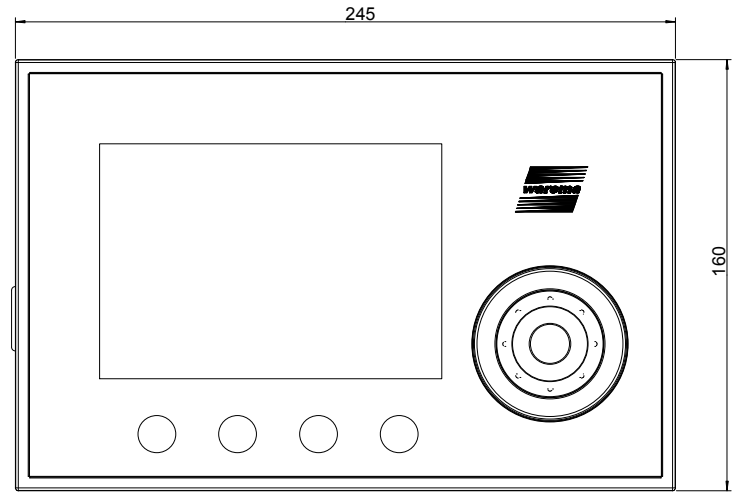


For the drawing all rights reserved.

12

14


date 08.11.2011		RTU LV-		WAREMA Renkhoff GmbH Hans-Wilhelm-Renkhoff-Str. 2 97828 Marktheidenfeld		Wiring diagram - actuator 4M230 (group operation)		=	
drawn				warema		119000279		Drawing number: 24340_1	
editor wichaa								page 13	
Change	date	name	Norm	Urspr.	Ers. f.	Ers. d.			of 21 Bl.



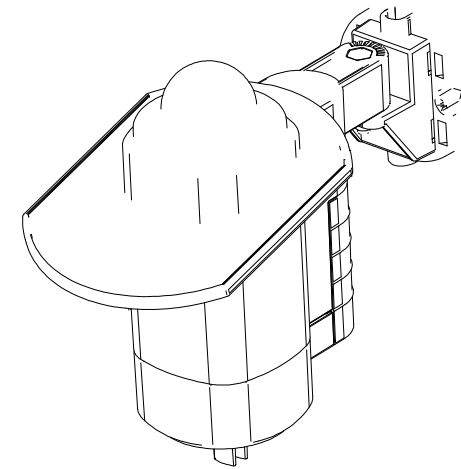
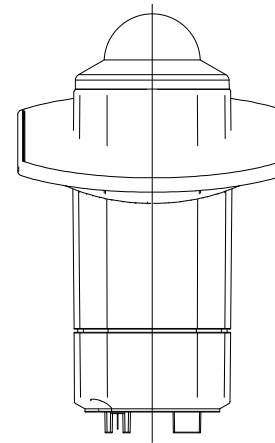
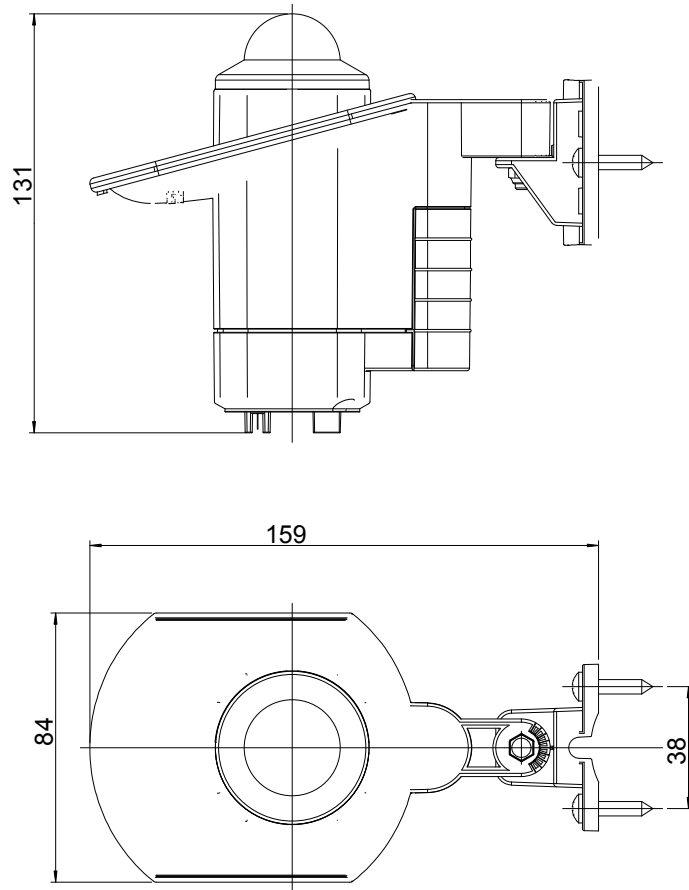
Dimension
control panel
WAREMA climatronic

Dimension in mm

For the drawing all rights reserved.

Change	date	08.11.2011	RTU LV-	 WAREMA Renkhoff GmbH Hans-Wilhelm-Renkhoff-Str. 2 97828 Marktheidenfeld	Dimension - WAREMA climatronic operating unit	119000279	Drawing number: 24340_1	page 14 of 21 Bl.
	drawn							
	editor	wichaa						
date		Norm	Urspr.	Ers. f.	Ers. d.			

Dimension WAREMA climatronic weather station



Dimension in mm

For the drawing all rights reserved.

14

16

date	08.11.2011
drawn	
editor	wichaa

RTU
LV-



WAREMA Renkhoff GmbH
Hans-Wilhelm-Renkhoff-Str. 2
97828 Marktheidenfeld

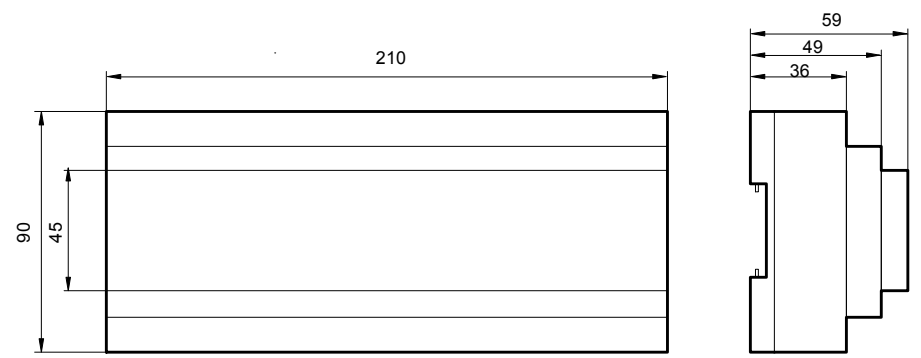
Dimension - Climatronic Sensor

119000279

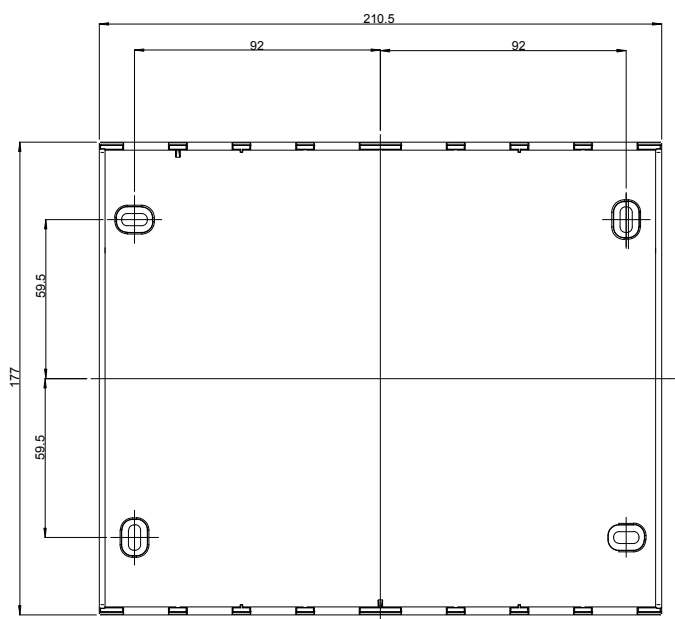
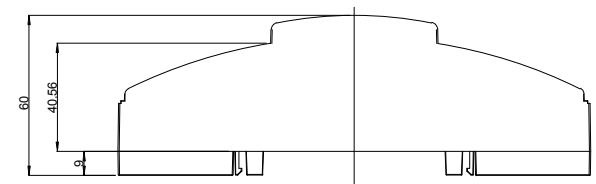
Drawing number: 24340_1

page 15
of 21 Bl.

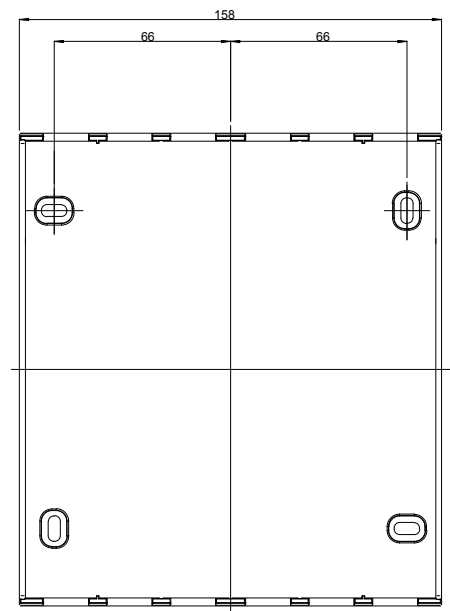
Change	date	name	Norm	Urspr.	Ers. f.	Ers. d.
--------	------	------	------	--------	---------	---------



DIN rail mounted housing
Schaltaktor 4M REG 9TE/157mm Schaltaktor 6M REG 12TE/210mm




actuator 6M230



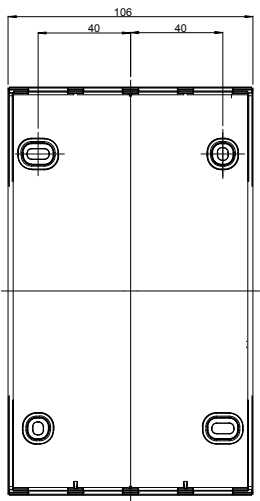
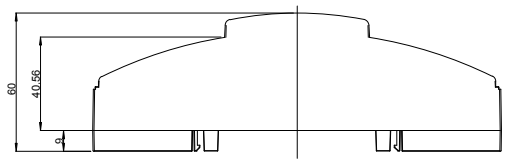
actuator 4M230

Dimension in mm

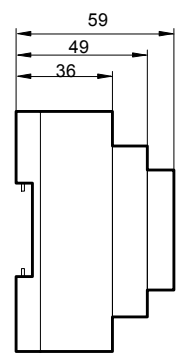
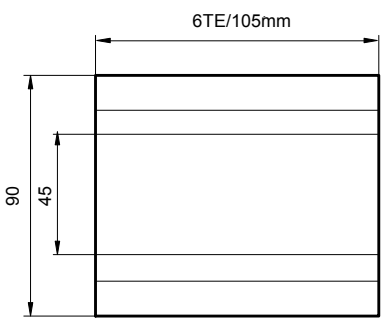
For the drawing all rights reserved.

		date	08.11.2011	RTU		 WAREMA Renkhoff GmbH Hans-Wilhelm-Renkhoff-Str. 2 97828 Marktheidenfeld	Dimension - Climatronic - actuator				
		drawn		LV-							
		editor	wichaa								
Change	date	name	Norm	Urspr.	Ers. f.	Ers. d.			119000279	Drawing number: 24340_1	page 16 of 21 Bl.

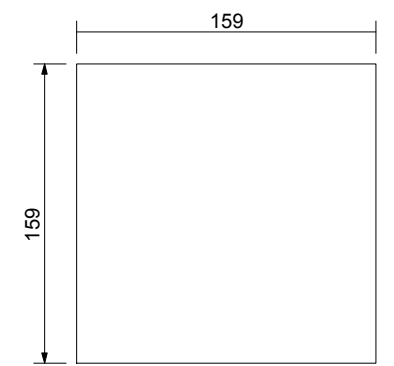
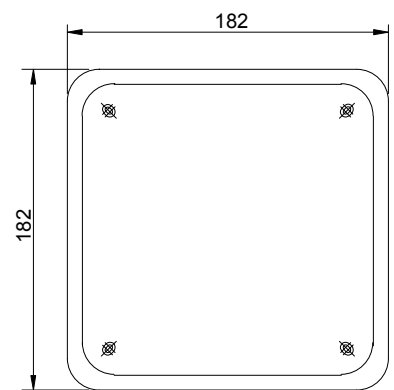
surface mounted housing



REG housing




flush-type enclosure

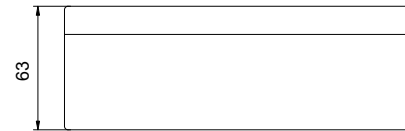
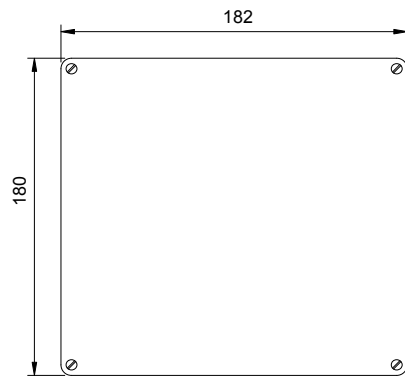


Dimension in mm

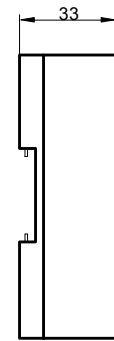
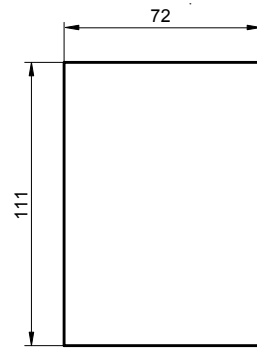
For the drawing all rights reserved.

Change		date	name	Norm	Urspr.	Ers. f.	Ers. d.	 WAREMA Renkhoff GmbH Hans-Wilhelm-Renkhoff-Str. 2 97828 Marktheidenfeld	Dimension - power supply unit	119000279	Drawing number: 24340_1	page 17 of 21 Bl.
		date	name	Norm	Urspr.	Ers. f.	Ers. d.					
		date	name	Norm	Urspr.	Ers. f.	Ers. d.					

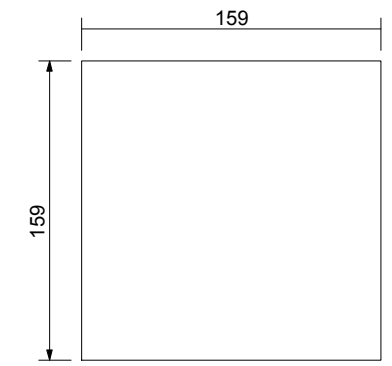
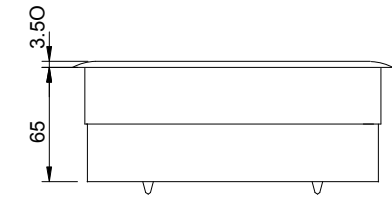
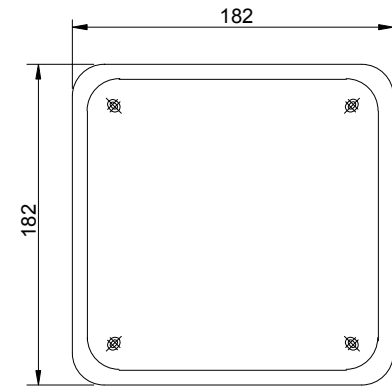
surface type enclosure



DIN-rail housing




flush-type enclosure



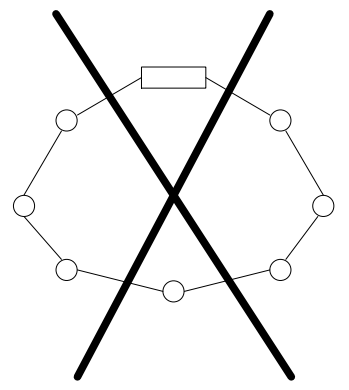
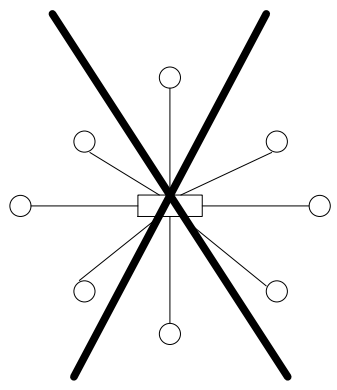
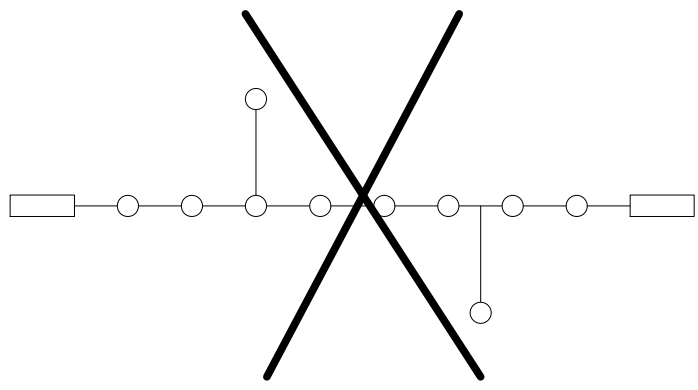
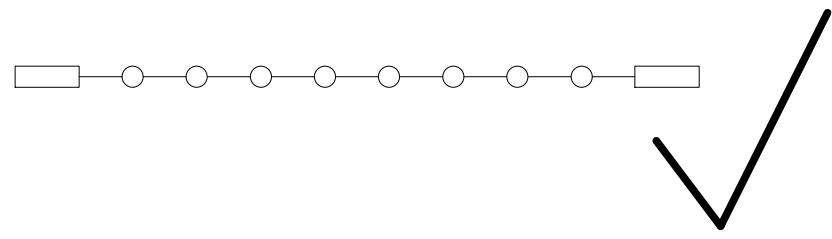
Dimension in mm

For the drawing all rights reserved.

		date	08.11.2011	RTU		 WAREMA Renkhoff GmbH Hans-Wilhelm-Renkhoff-Str. 2 97828 Marktheidenfeld	Dimension - Climatronic Hub			
		drawn		LV-						
		editor	wichaa							
Change	date	name	Norm	Urspr.	Ers. f.	Ers. d.	119000279		Drawing number: 24340_1	
										page 18 of 21 Bl.

A
B
C
D
E
F

Caution:
Note the structure of WAREMA climatronic BUS!



○ = network unit
□ = terminator

For the drawing all rights reserved.

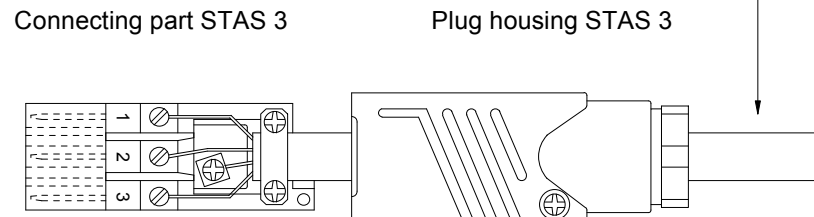
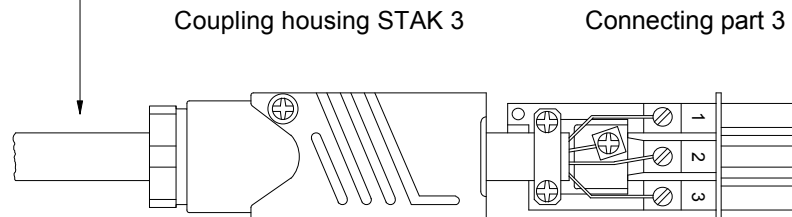
Change		date	name	Norm	Urspr.	Ers. f.	Ers. d.	WAREMA Renkhoff GmbH Hans-Wilhelm-Renkhoff-Str. 2 97828 Marktheidenfeld	Network structure - WAREMA climatronic	Drawing number: 24340_1	119000279	= +	page 19
		date	name	Norm	Urspr.	Ers. f.	Ers. d.						of 21 Bl.
		date	name	Norm	Urspr.	Ers. f.	Ers. d.						

Coupling STAK 3

Plug STAS 3

H05RR-F 4G0,75 mm² (black)

H05RR-F 4G0,75 mm² (black)



from actuator

to motor

1 = neutral (blue) 2 = Up-command (black) 3 = Down-command (Brown) = ground (green-yellow)



For the drawing all rights reserved.

date	08.11.2011
drawn	
editor	wichaa

RTU
LV-



WAREMA Renkhoff GmbH
Hans-Wilhelm-Renkhoff-Str. 2
97828 Marktheidenfeld

coupling system

119000279

Drawing number: 24340_1

page 20
of 21 Bl.

Change	date	name	Norm	Urspr.	Ers. f.	Ers. d.
--------	------	------	------	--------	---------	---------

